

solids Trough Screw Conveyor

Type DST



Mechanical conveying and metering, horizontal or angular, good accessibility from top due to the large, removable trough cover, easy-to-clean and easy inspection or revision



Advantages:

- **Reliable conveying of difficult bulk solids**
- **Good accessibility from top due to the trough cover, and easy to clean**
- **Easy inspection or revision**
- **The horizontal conveying length and the angular conveying height are flexible as per the customer's requirements**
- **Wide spectrum of applications for fine to coarse products**

S.S.T.-Schüttguttechnik Maschinenbau GmbH
Lechwiesenstr. 21, 86899 Landsberg / Lech
Tel. 0049 (0)8191-3359-50 / Fax 0049 (0)8191-3359-55
E-mail SST@solids-service.de www.solids.de



solids Trough Screw Conveyor

Type DST



Function:

The screw rotates in the housing and transports the product from the inlet to the outlet.

The screw shaft is supported from both sides in the flange bearings.

The shaft is sealed using adjustable packing glands.

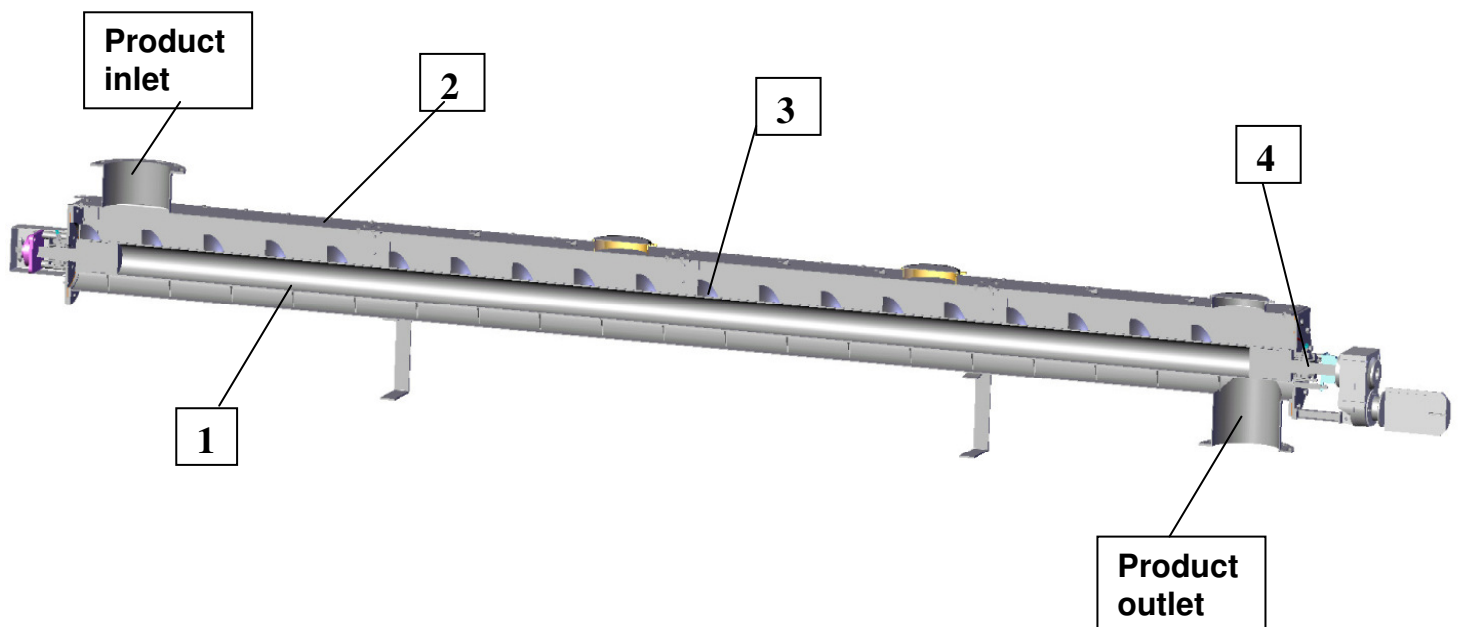
The screw is directly driven using a slip-on geared motor.

The trough screw conveyor is equipped with a removable cover for inspection and cleaning.

Sizes: Screw Ø 150, 200, 250, 300, 350, 500 mm

Conveying length: a length of up to 8 m is possible

Characteristics:



1. Stable, sturdy trough structure
2. Large, removable trough cover
3. Wear-proof screw flight made of Hardox
4. External bearing

S.S.T.-Schüttguttechnik Maschinenbau GmbH

Lechwiesenstr. 21, 86899 Landsberg / Lech

Tel. 0049 (0)8191-3359-50 / Fax 0049 (0)8191-3359-55

E-mail SST@solids-service.de www.solids.de

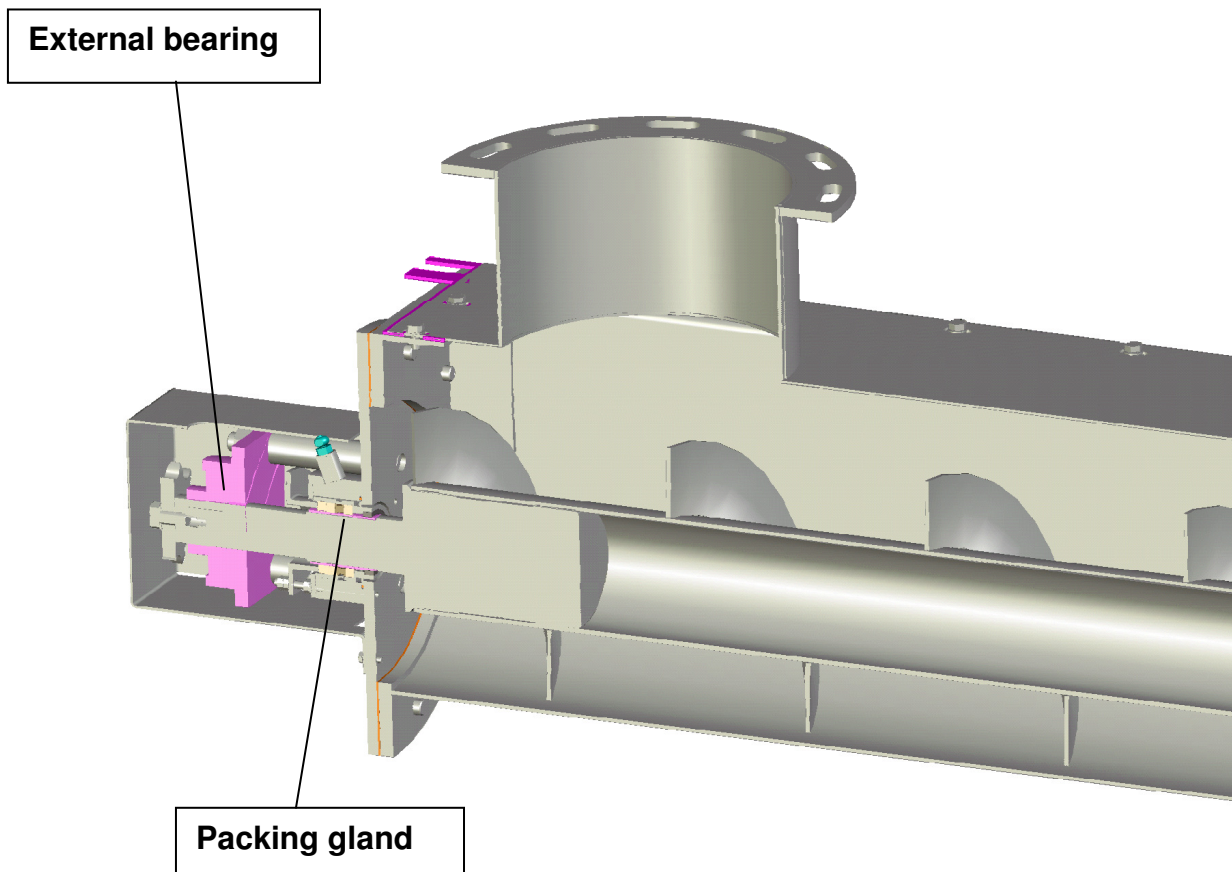


solids Trough Screw Conveyor

Type DST



Detail: Bearing and shaft feedthrough for abrasive products and / or high temperature



Alternative: Bearing and shaft feedthrough with radial shaft sealing rings and external bearings for foodstuffs or fine chemicals for instance

S.S.T.-Schüttguttechnik Maschinenbau GmbH
Lechwiesenstr. 21, 86899 Landsberg / Lech
Tel. 0049 (0)8191-3359-50 / Fax 0049 (0)8191-3359-55
E-mail SST@solids-service.de www.solids.de

