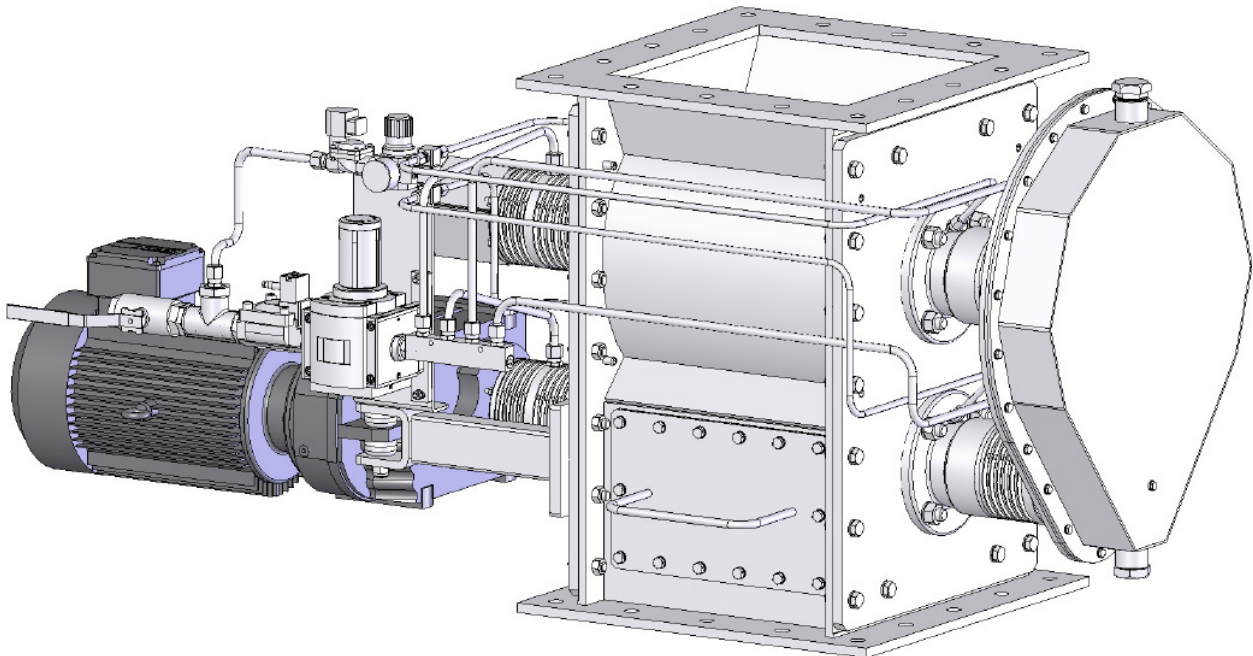




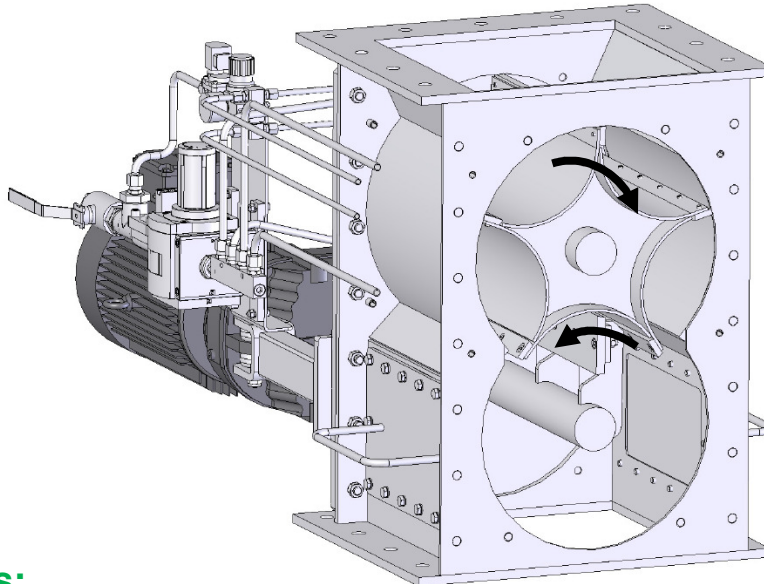
**Datasheet**  
**solids - Self Cleaning Rotary Valve**  
**RRS-Heavy-HT**



**Trouble-free discharging and dosing of adhesive, sticky, non-flowing bulk solids, with a forced scraper for complete emptying of the chambers, high-temperature design, optional wear resistant protected**



Section view:



**Advantages:**

- Ensures the trouble-free operation of the system when handling bulk solids having a tendency to stick, form coats and clot.
- Prevents expensive system standstills (e.g. cleaning) and production failures.
- Can be adapted to the prescribed or existing cross-section openings
- Can also be retrofitted if conventional rotary valves have failed



**solids solutions group**  
[www.solids.de](http://www.solids.de)



# Datasheet

## solids - Self Cleaning Rotary Valve

### RRS-Heavy-HT



### Operating conditions:

Permissible operating pressure: 0,9 bar abs. till < 0,5 bar g

Product temperature or gas temperature max.: 350° C

Max/Min ambient temperature: -10 °C ≤ T ≤ 50 °C

Bulk solids data:

Particle size: Powdered, up to medium hardness, free flowing up to non-flowing

Type *	Inlet / Outlet	Height	V / Revolution	Weight
<b>RRS25009H01</b>	250x250 mm	480 mm	8,97 dm <sup>3</sup>	150 kg
<b>RRS25010H01</b>	250x300 mm	480 mm	10,68 dm <sup>3</sup>	180 kg
<b>RRS25014H01</b>	250x400 mm	480 mm	14,11 dm <sup>3</sup>	210 kg
<b>RRS25017H01</b>	250x500 mm	480 mm	17,53 dm <sup>3</sup>	230 kg
<b>RRS35024H01</b>	350x350 mm	670 mm	24,48 dm <sup>3</sup>	250 kg
<b>RRS35034H01</b>	350x500 mm	670 mm	34,40 dm <sup>3</sup>	290 kg
<b>RRS35041H01</b>	350x600 mm	670 mm	41,02 dm <sup>3</sup>	330 kg
<b>RRS35047H01</b>	350x700 mm	670 mm	47,64 dm <sup>3</sup>	370 kg
<b>RRS50070H01</b>	500x500 mm	970 mm	70,25 dm <sup>3</sup>	450 kg
<b>RRS50083H01</b>	500x600 mm	970 mm	83,76 dm <sup>3</sup>	500 kg
<b>RRS50097H01</b>	500x700 mm	970 mm	97,27 dm <sup>3</sup>	550 kg
<b>RRS500110H01</b>	500x800 mm	970 mm	110,78 dm <sup>3</sup>	600 kg

\* more intermediate sizes on request

### Basical version:

Body: welded steel construction – carbon steel

Rotor: welded steel construction – carbon steel

5 chambers, adjustable blades

Forced scraper, counter-rotating with respect to the rotor; ensure complete emptying of the chambers, replaceable, adjustable

External, wide separated high-temperature bearing incl. cooling air supply with solenoid valve, pressure controller 1" and fixed tubes

Shaft seal: gland packings with sealing/purge air connection incl. solenoid valve, pressure controller 1/4" and fixed tubes

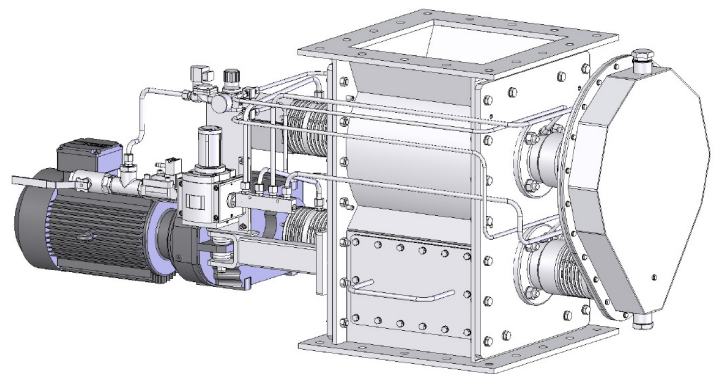
Drive: direct Motor: three-phase geared motor

Make: SEW, specified separately

Design: Shaft mounted gear with torque arm

Surface treatment: sand blasted

Primer 40 µm, top coat 40 µm, RAL9006 Alu



approval:	MIGSA	SST	H. Linder
Date:	Sign:	Date:	Sign:

Preliminary modifications reserved



**solids solutions group**  
[www.solids.de](http://www.solids.de)



# Datasheet

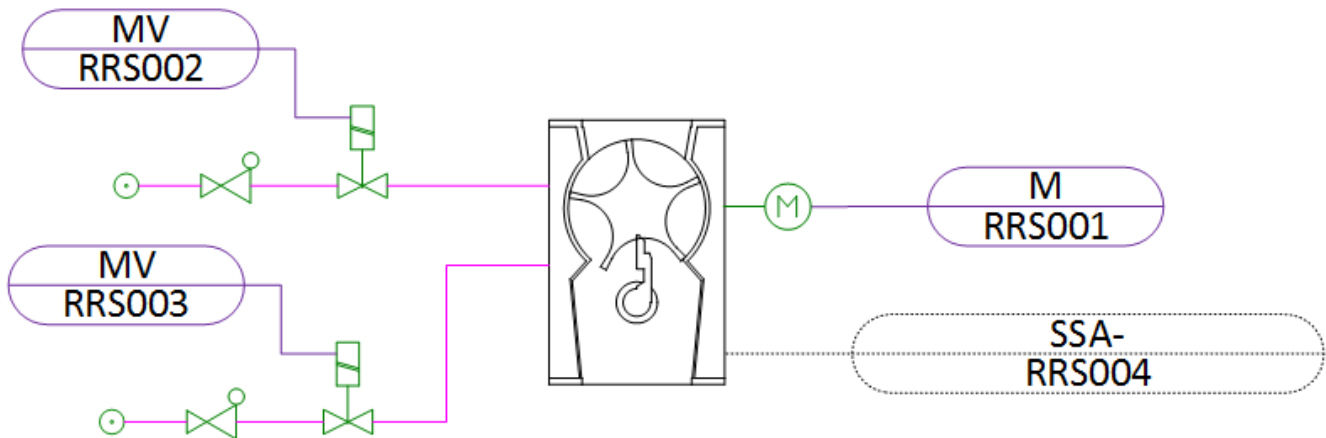
## solids - Self Cleaning Rotary Valve

### RRS-Heavy-HT



### Electric parts:

	Denomination	Manufacturer	Type
<b>Gearboxmotor</b>			
RRS001	Gearboxmotor	SEW	FA67DV132S4
<b>Pneumatic installation purge air</b>			
RRS002	2/2-way-solenoid valve 1/4"	Norgren-Buschjost	8240002
<b>Pneumatic installation cooling air</b>			
RRS003	2/2-way-solenoid valve 1"	Norgren-Buschjost	8240402
<b>Option 10: Standstill monitoring</b>			
RRS004	inductive sensor	IFM	IFS299





# Datasheet

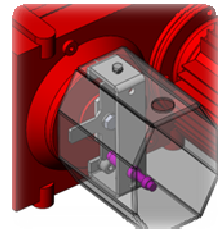
## solids - Self Cleaning Rotary Valve

### RRS-Heavy-HT



### Options:

1. Housing made of 1.4306 (DIN) / 304L (AISI)
2. Rotor and scraper made of 1.4306 (DIN) / 304L (AISI)
3. Housing made of 1.4404 (DIN) / 316L (AISI)
4. Rotor and scraper made of 1.4404 (DIN) / 316L (AISI)
5. Rotor and scraper made of Hardox
6. Inlet for granules, grain size  $>500 \mu\text{m}$ , cubic up to 10 mm, made of carbon steel incl. connection parts assembled
7. Leakage air collector with granule inlet, grain size  $> 500 \mu\text{m}$ , made of carbon steel incl. connection parts assembled
8. Leakage air collector for non-granules, made of carbon steel incl. connection parts assembled
9. Blowing shoe for pneumatic transport made of carbon steel incl. connection parts assembled
10. Standstill monitoring with star and sensor
11. Insulation and / or touch protection at hot surfaces



### Related documents:

3D-Part: Type.step (example : **RRS25009H01**. Step)  
2D-planning drawing: Type.dxf (example: **RRS25009H01**. dxf)  
selection criteria: SG- RRS  
pricelist: PL- RRS-Heavy-HT



**solids solutions group**  
[www.solids.de](http://www.solids.de)