



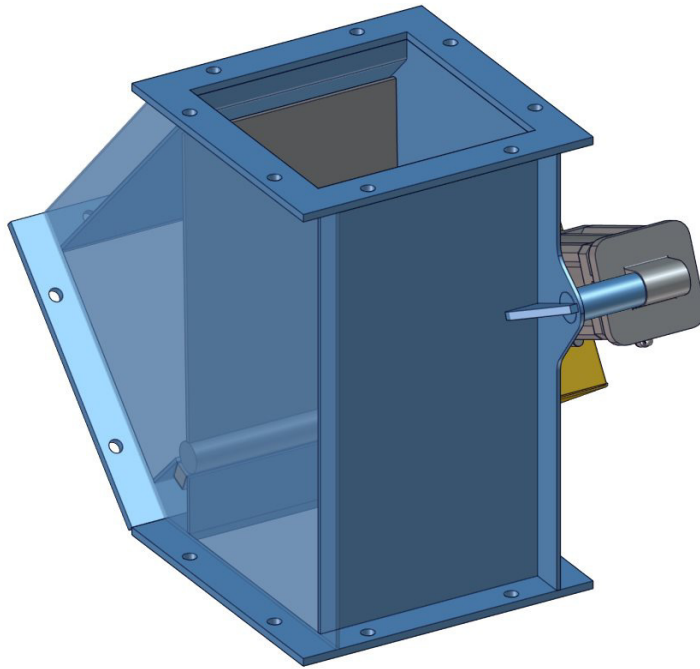
Datasheet

Solids – Diverter Flap

VDP01-Basic



Switching the bulk solids flow in a downstream pipe, two ways,
cross section adaptable



Advantages:

- Simple assembly
- Sturdy design
- Compact, space-saving installation
- Low maintenance

approval	MIGSA	SST	Mr. Linder
date:	sign:	date: 13.10.2016	sign: Le
		date: 13.10.2016	sign: Li

Preliminary
Modifications reserved



solids solutions group

www.solids.eu



Datasheet

Solids – Diverter Flap

VDP01-Basic

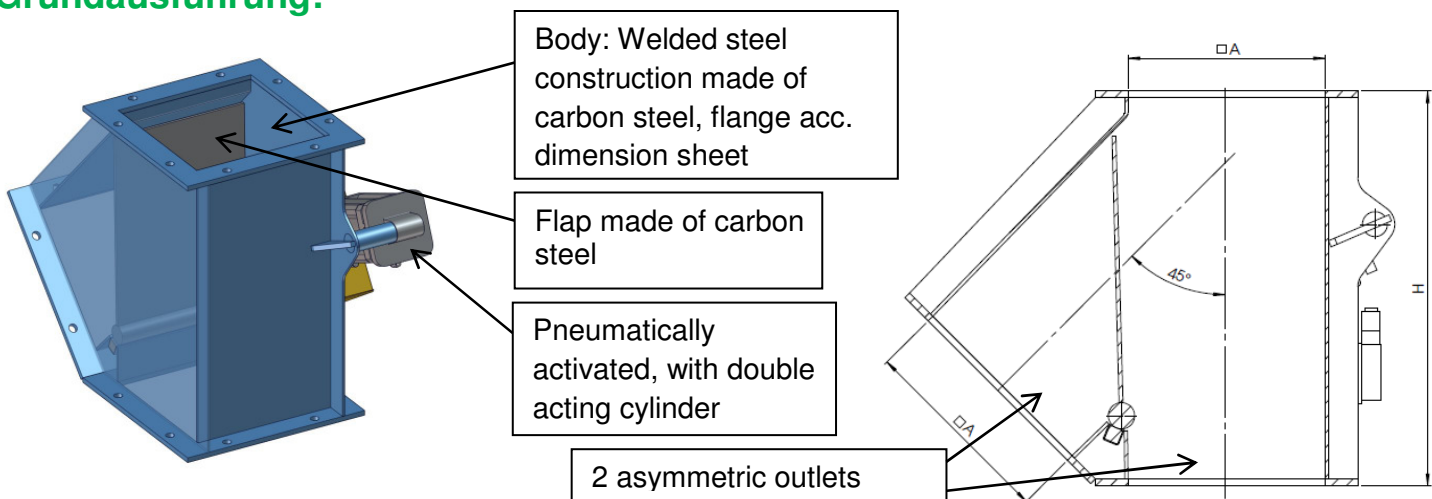


Operating conditions:

- Permissible operation pressure: atmospheric up to 0,1 bar g
- Product temperature max.: 100°C
- Max./min. ambient temperature: $-10\text{ °C} \leq T \leq 50\text{ °C}$
- Solid to bulk data: powders and granules, medium hardness, free flowing up to difficult flowing

Type	Input/output (mm)	Height (mm)	Weight (KG)
VDP0115B01	150x150	385	30
VDP0120B01	200x200	455	45
VDP0125B01	250x250	525	60
VDP0130B01	300x300	600	75
VDP0135B01	350x350	670	90
VDP0140B01	400x400	740	105
VDP0145B01	450x450	810	160
VDP0150B01	500x500	880	245

Grundauführung:



This is not an equipment according ATEX-directive 2014/34/EU, but in contact with product (inside) usable in the zones 20-21-22. Additional electrical parts must be approved for the chosen ATEX-zone.

Switching during flowing product flow is only admissible in exceptional cases and after agreement of the manufacturer. Interrupt the product flow shortly before switching (e.g. lock using a slider, stop the conveyor device).

It is not allowed to switch the flap in the non flowing product column.

It is not allowed to switch the flap, if in one exit the product is not flowing out.

Surface treatment:

Chemical stripped, Primer 40 µm zinc phosphate,

Top coat 40 µm 2-component polyurethane, RAL5012 blue



solids solutions group

www.solids.eu

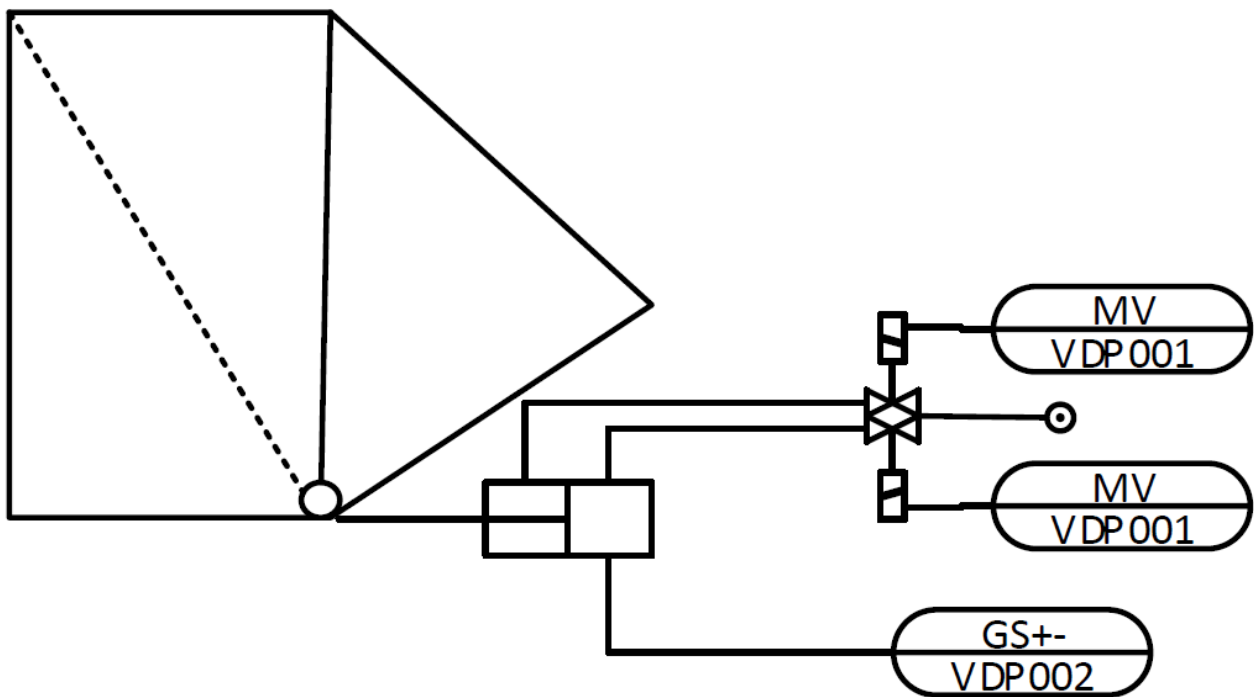


Datasheet Solids – Diverter Flap VDP01-Basic



Electric parts:

	Denomination	Manufacturer	Type
VDP001	Inductive initiators	IFM	IFS240
	magnetic detectors	SMC	D-M9PL
VDP002	Solenoid valves	Norgren	2623100



solids solutions group

www.solids.eu



Datasheet

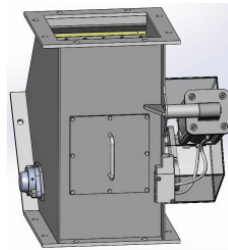
Solids – Diverter Flap

VDP01-Basic



Options:

1. Dust-tight for powders with polyurethan-sealing up to 80°C
2. Dust-tight for powders with viton-sealing up to 250°C
3. With inspection-coverplate



4. Parts in contact with product made of abrasive resistant steel
5. Parts in contact with product made of stainless steel 1.4306 (DIN) / 304L (AISI)

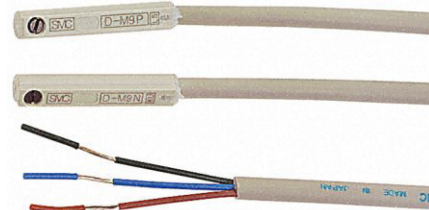


6. Parts in contact with product made of stainless steel 1.4404 (DIN) / 316L (AISI)

7. With solenoid valve 5/2 24v DC, for cylinder control



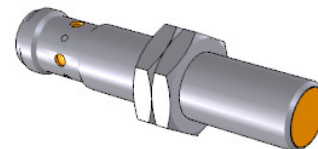
8. With 2 magnetic detectors on the cylinder, inclusive cable and junction box



9. With 2 electro mechanical limit switches



10. With 2 inductive detectors, inclusive wirable socket



11. Elektric parts outside suitable for zone 2/22
12. Elektric parts outside suitable for zone 1/21

Associated documents:

3D-part: Type.step (e.g. : **VDP0115B01**. Step)
2D layout drawing: Type.dxf (e.g. : **VDP0115B01**. dxf)
Selection guide: SG-VDP
Price list: PL- VDP01-Basic
List of drawing numbers: Draw-No-List_ VDP01-Basic



solids solutions group

www.solids.eu