



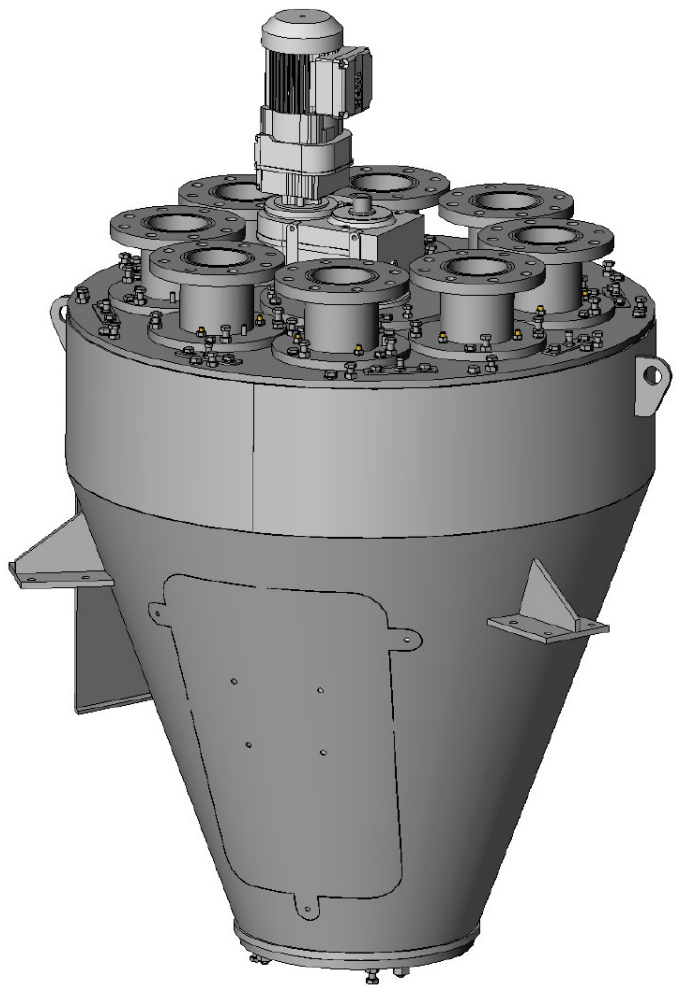
Datasheet solids-Multi-Way Diverter MWW-Heavy



Distributor for pneumatic pressure conveying pipelines or collection of vacuum conveying pipelines, up to 20 exits; can also be used as a collector; smooth and shock-free material flow; no dead zones, suitable for abrasive bulk solids, for high temperatures up to 240°C

Operation purpose:

The multi-way diverter in a pneumatic conveying pipeline is used to choose different target destinations. Before starting the pneumatic conveying process the desired exit corresponding to the destination is dialed. Then the rotary pipe is moving to this exit. After achieving the position all exits are sealed. The rotary pipe, driven by a worm-gearboxmotor, is the connection between the arriving pipeline and the departing pipeline.



Advantages:

- Suitable for all bulk solids
- Approved as per pressure equipment directive 2014/68/EU
- No dead zones, no product residues
- Robust and fail-safe
- Abrasive resistant

approval:	MIGSA	SST	H. Linder
	Date:	Sign:	Date:

Preliminary
modifications reserved



solids solutions group
www.solids.eu



Datasheet solids-Multi-Way Diverter MWW-Heavy



Operating conditions:

- Max. pressure: < 6 bar
- Max. temperature: 120° C
- Max/min ambient temperature: -10 °C ≤ T ≤ 50 °C
- Data for bulk solids: Particle size: powders, up to middle hardness. Fluidity: for free flowing up to non-flowing products.

Type	Duct diameter (mm)	N° of exits	Diameter between exits (mm)	Height (mm)	Weight (Kg)
MWW05XXH01	50	3-8	600	1195	345-425
MWW05XXH01	50	9-16	1100	1660	665-770
MWW05XXH01	50	17-20	1450	2000	960-990
MWW06XXH01	65	3-8	600	1195	345-430
MWW06XXH01	65	9-16	1100	1660	670-780
MWW06XXH01	65	17-20	1450	2000	965-1000
MWW08XXH01	80	3-8	600	1195	350-440
MWW08XXH01	80	9-16	1100	1660	680-800
MWW08XXH01	80	17-20	1450	2000	975-1025
MWW10XXH01	100	3-8	600	1195	355-440
MWW10XXH01	100	9-14	1100	1660	686-790
MWW10XXH01	100	15-20	1450	2000	995-1065
MWW12XXH01	125	3-7	600	1195	355-425
MWW12XXH01	125	8-12	1100	1660	675-760
MWW12XXH01	125	13-16	1450	2000	950-1020
MWW15XXH01	150	3-5	600	1195	360-430
MWW15XXH01	150	6-11	1100	1660	670-750
MWW15XXH01	150	12-14	1450	2000	940-1010
MWW20XXH01	200	3-8	1100	1955	690-775
MWW20XXH01	200	9-12	1450	2400	980-1050

The XX should be replaced by the number of outlets.



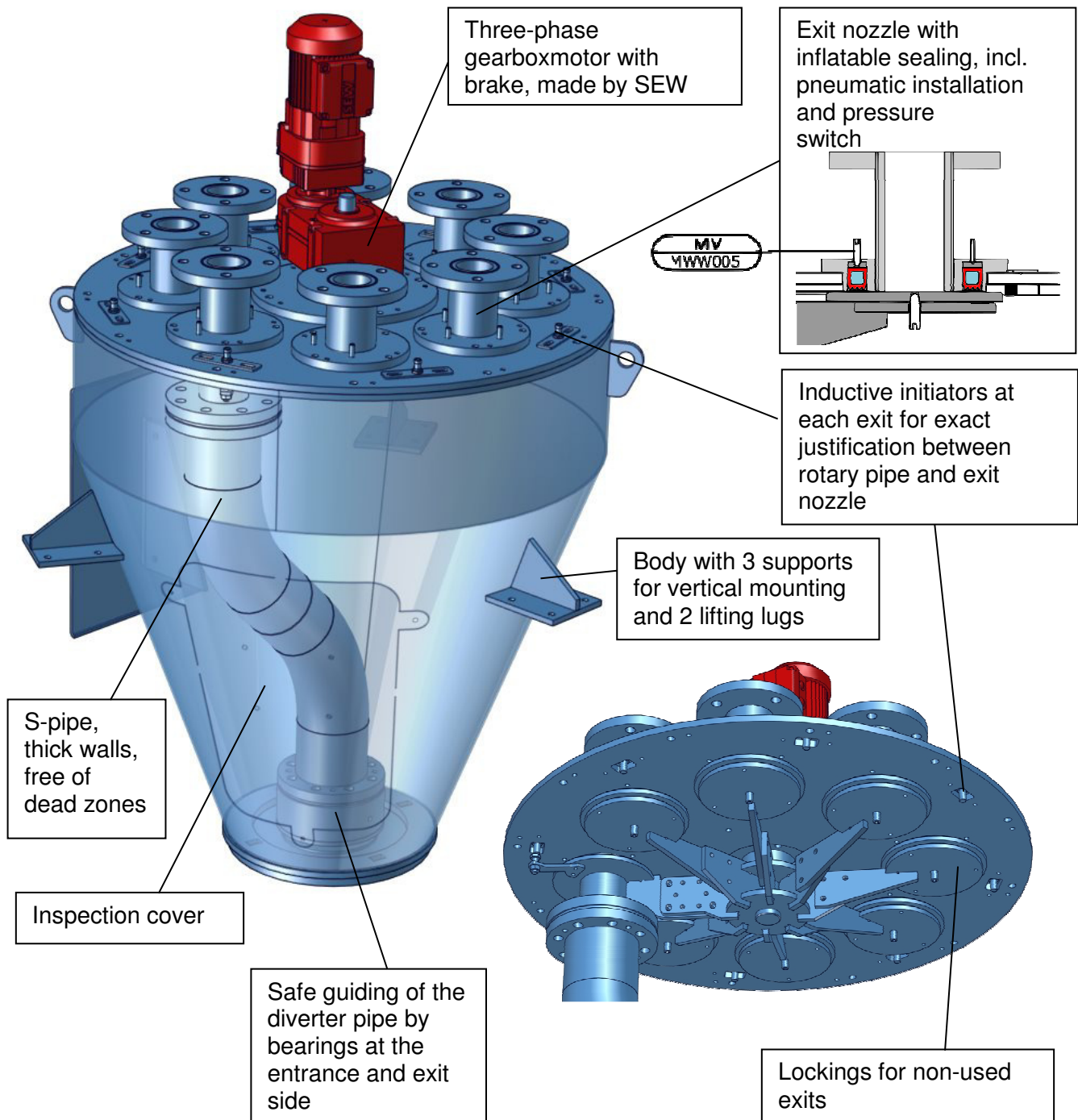


Datasheet solids-Multi-Way Diverter MWW-Heavy



Basical version:

Welded steel construction - carbon steel



This is not an equipment according ATEX-directive 2014/34/EU, but in contact with product (inside) usable in the zones 20-21-22. Additional electrical parts must be approved for the chosen ATEX-zone.

Surface treatment:

Chemical stripped, Primer 40 µm zinc phosphate,

Top coat 40 µm 2-component polyurethane, RAL5012 blue



solids solutions group
www.solids.eu

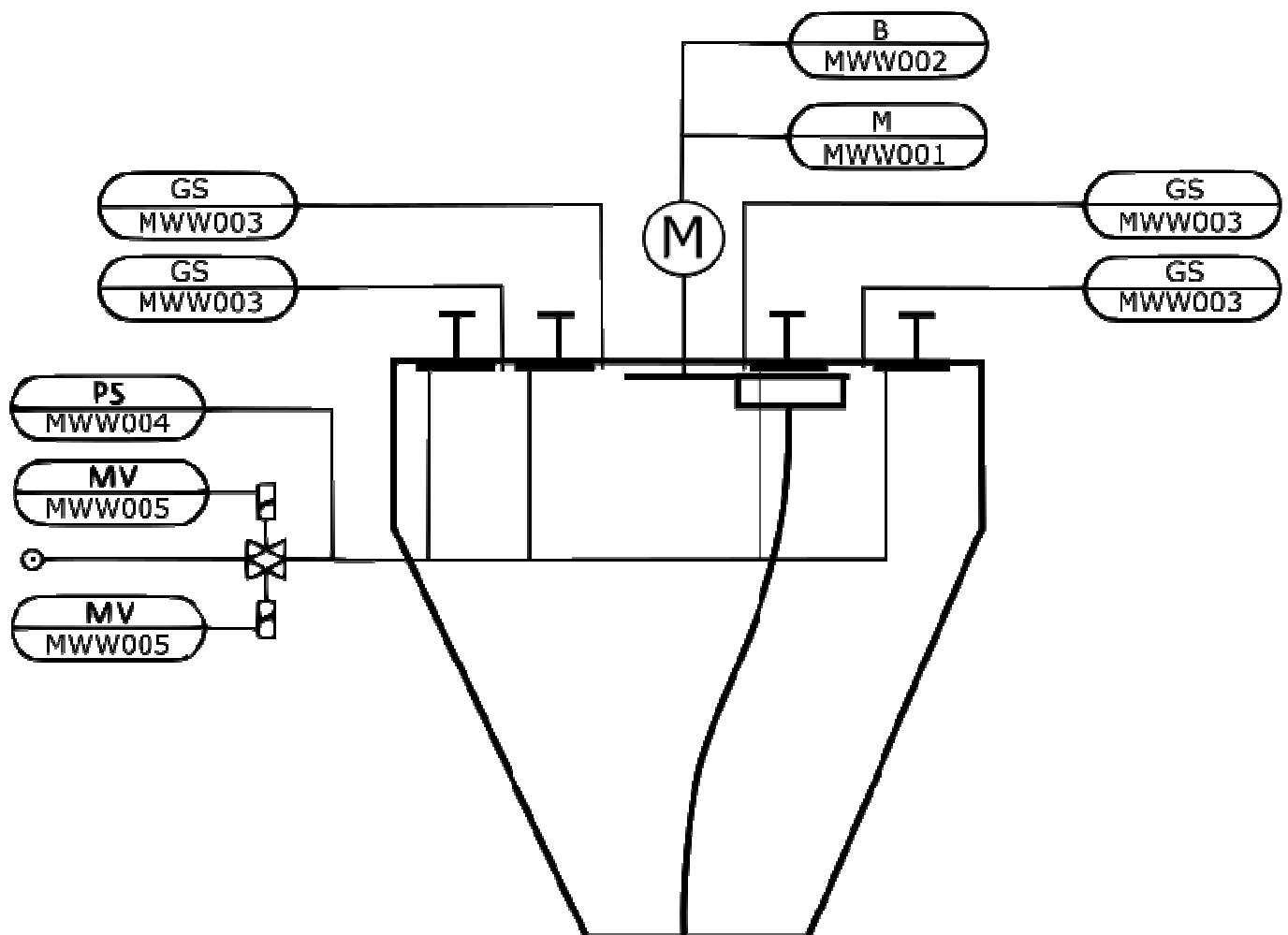


Datasheet solids-Multi-Way Diverter MWW-Heavy



Electric parts:

	Denomination	Manufacturer	Type
Gearboxmotor with brake			
MWW001	Gearboxmotor for Ø600 circle of exits	SEW	FHF37R17 2 rpm
	Gearboxmotor for Ø1100 circle of exits	SEW	FHF57R37 1,6 rpm
	Gearboxmotor for Ø1450 circle of exits	SEW	FHF87R57 0,9 rpm
MWW002	Brake	SEW	BMG
Position Indication			
MWW003	Inductive initiators	Pepperl + Fuchs	NBN4-12GM50-E2
Pneumatic installation of the inflatable sealing			
MWW004	Solenoid valve	Norgren	2623100
MWW005	Pressure switch	Wika	PSM02



Example for a multi-way diverter with 4 exits



solids solutions group
www.solids.eu

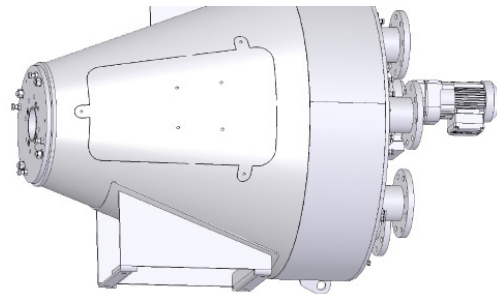
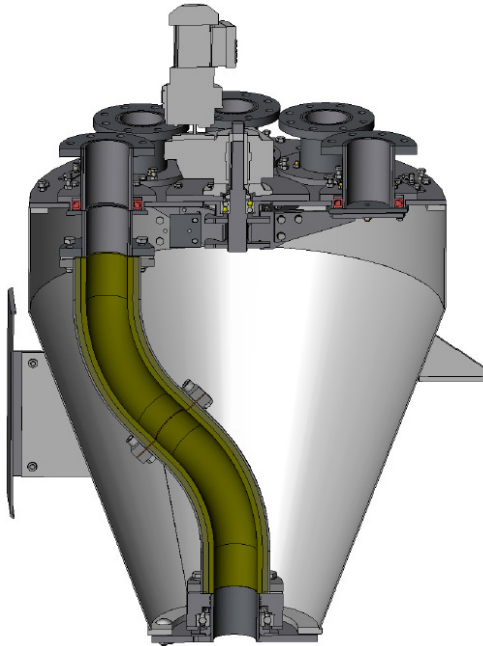


Datasheet solids-Multi-Way Diverter MWW-Heavy



Options:

1. S-pipe with ceramic-lining (aluminiumoxyd), connecting parts with hardened and thick-walled pipe
2. S-pipe and connecting parts made of hardened pipe
3. Outside electrical elements with Atex zone 2/22
4. Outside electrical elements with Atex zone 1/21
5. Cabinet with LOGO control for functional sequence
6. Support for horizontal mounting



Associated documents:

3D-part: Type step (e.g. : **MWW0614H01**. Step)

2D- layout drawing: Type dxf (ejem. **MWW0614H01**. dxf)

Selection guide:SG-MWW

Price list: PL-MWW-Heavy

Drawing No. List: Draw-No-List_MWW-Heavy



solids solutions group
www.solids.eu