



Datasheet

solids – Big-Bag-Discharger

BBD-W-Basic



Operating conditions:

permissible operating pressure: atmospheric, product temperature max: 40° C

max./min. ambient temperature: -10 °C ≤ T ≤ 50 °C

bulk solids data:

powder form, granule form up to lumpy, any hardness,

difficult up to very difficult flowing

Type	Width x Depth	Height	Support Area Big-Bag	Weight	permiss. Big-Bag-Weight
BBD1200B02	1580x1580 mm	2050 mm	max. 1200 x 1200 mm min. 950 x 950 mm	400 kg	1000 kg

Basical version:

Tumble device made of carbon steel: double rocker and inner tumble frame, based on bearings, for reception of the big-bag, with 2 pneumatic cylinders and solenoid valves. By activating the pneumatic cylinders over mounted solenoid valves the big-bag is tumbled and the content is flowing out.

Docking device for dust tight connection of the big-bag outlet tube, welded construction – made of carbon steel, with manually activated pressing plate and two pneumatic springs for easy moving, inlet diameter D=350mm for imposing the big-bag outlet tube, diameter of the big-bag outlet tube >350 mm, max. 500 mm, outlet diameter of the docking device D=350mm.

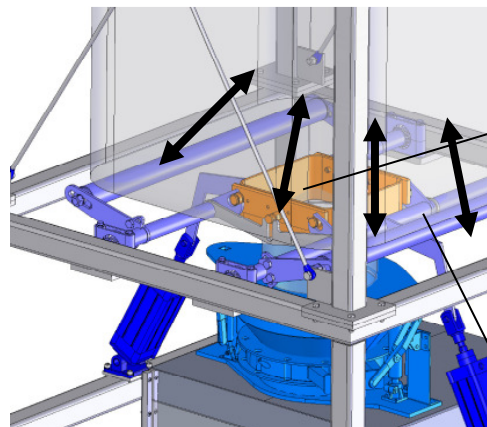
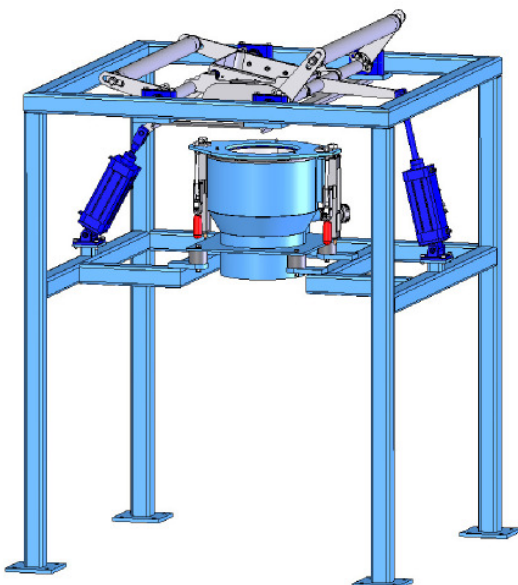
minimum big-bag-outlet length 400 mm from tie fastening

1 evacuation tube DN 50 for connecting to dedusting system on site

lower frame support made of carbon steel square tube, suitable for earthquake zone 0

surface treatment of carbon steel parts: with chemical descaling,

base painting 40 µm zinc-phosphate, final painting 40 µm 2-components-polyurethan, RAL5012 blue



Stage 1: tumble frame, makes the product flowing at the outlet range

Stage 2: double rocker, tumbles the big-bag at the outside range

Detail: multistage discharge aid for compacted products

approval	MIGSA	SST	Mr. Linder
date:	sign:	date: 18.3.13	sign: Le
		date: 18.3.13	sign: Li

Preliminary
Modifications reserved



solids solutions group
www.solids.eu



Datasheet

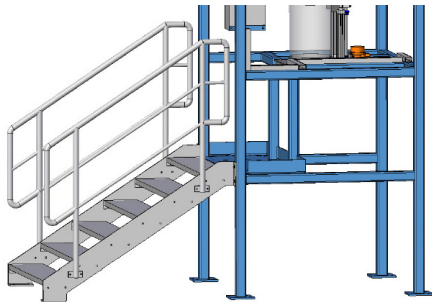
solids – Big-Bag-Discharger

BBD-W-Basic

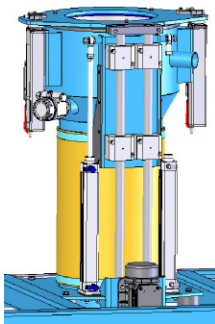


Options:

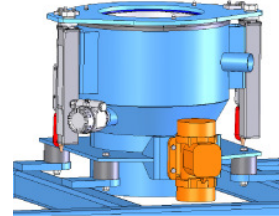
1. permissible big-bag weight 1500 kg
- 1.1. permissible big-bag weight 1900 kg
2. insert in the docking device for different diameter of the big-bag-outlet tube >250 mm <350 mm
3. substructure up to H=1500mm with operating platform and stair made of carbon steel



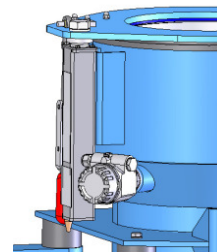
4. docking device made of 1.4306 (DIN) / 304L (AISI)
5. docking device made of stainless steel 1.4404 (DIN) / 316L (AISI)
6. docking device made of stainless steel 1.4571 (DIN) / 316Ti (AISI)
7. weldings continuous free of gap
8. docking device with adjustable height for tightening the big-bag with pneumatic stretch device, incl. manual valves and pressure controller



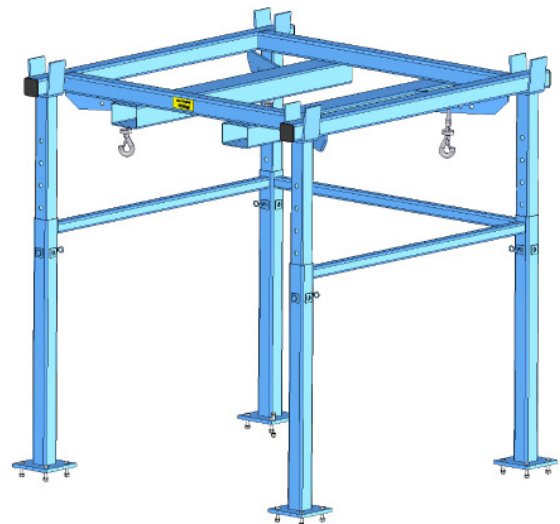
9. unbalanced motor 230/400V 50Hz IP65, for docking device as a discharge help



10. level switch in the docking device



11. upper frame support, with adjustable height and lifting cross joint for big-bag-setting by a fork lifter

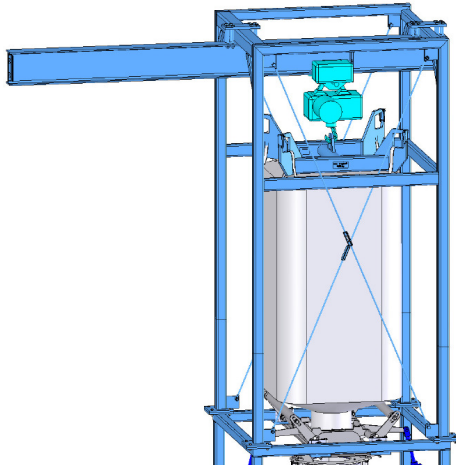




Datasheet solids – Big-Bag-Discharger BBD-W-Basic

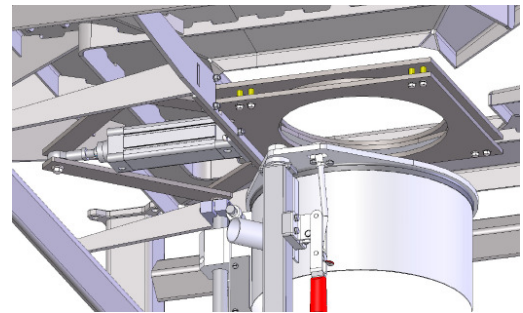


- 12. upper frame support for big-bag-setting, with crane rail, chain hoist and lifting cross joint, for big-bag weight max. 1000 kg, chain hoist separately specified, lifting unit and horizontal drive electrically activated, with current supply and multi-button pendant switches

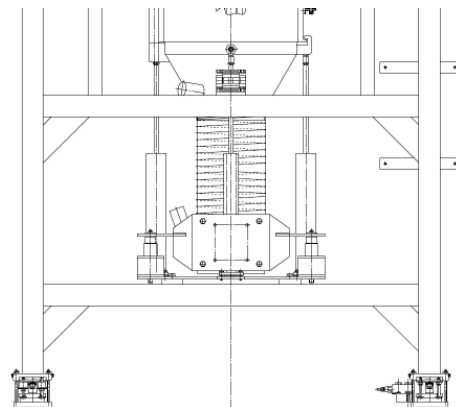


- 18. electrical chain hoist and multi-button pendant switches for zone 2
- 19. electrical chain hoist and multi-button pendant switches for zone 21
- 20. unbalanced motor for zone 21
- 21. unbalanced motor for zone 2
- 22. unbalanced motor for zone 1
- 23. wireless remote control for electrical chain hoist without ATEX
- 24. wireless remote control for electrical chain hoist for zone 22
- 25. collet-locking unit for relocking the big-bag after semi-discharging, operation allowed only with protection housing

- 13. upper frame support for big-bag-setting, with crane rail, chain hoist and lifting cross joint, for big-bag weight max. 1500 kg, chain hoist separately specified, lifting unit and horizontal drive electrically activated, with current supply and multi-button pendant switches
- 14. upper frame support for big-bag-setting, with crane rail, chain hoist and lifting cross joint, for big-bag weight max. 1900 kg, chain hoist separately specified, lifting unit and horizontal drive electrically activated, with current supply and multi-button pendant switches
- 15. suitable for zone 20 inside and zone 22 outside acc. ATEX 2014/34/EU without electrical chain hoist and multi-button pendant switches
- 16. suitable for zone 20 inside and zone 2 outside acc. ATEX 2014/34/EU without electrical chain hoist and multi-button pendant switches
- 17. electrical chain hoist and multi-button pendant switches for zone 22



- 26. protection housing with door and interlocking device
- 27.1 4 weighing modules made of galvanised carbon steel with load cells, Ex-free. The modules are used for exact force leading and for fixing the construction, with integrated lift up security.



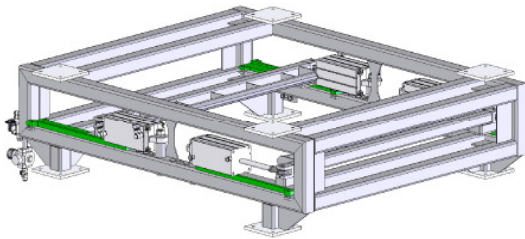


Datasheet solids – Big-Bag-Discharger BBD-W-Basic



27.2 4 weighing modules made of galvanised carbon steel with load cells, suitable for all Ex-zones. The modules are used for exact force leading and for fixing the construction, with integrated lift up security

28. additional module: breaking of agglomerates in the big-bag-outlet with 4 pneumatic cylinders, electro-pneumatic installation: pressure controller and solenoid valve

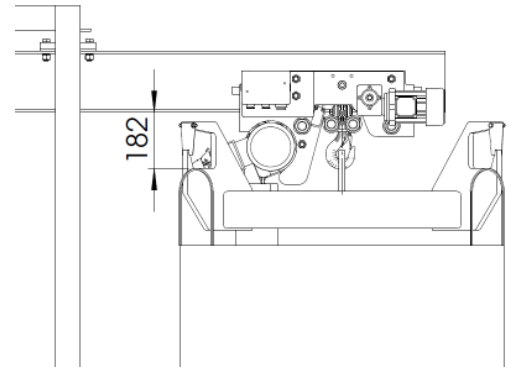


30. suitable for earthquake zone 1 + 2

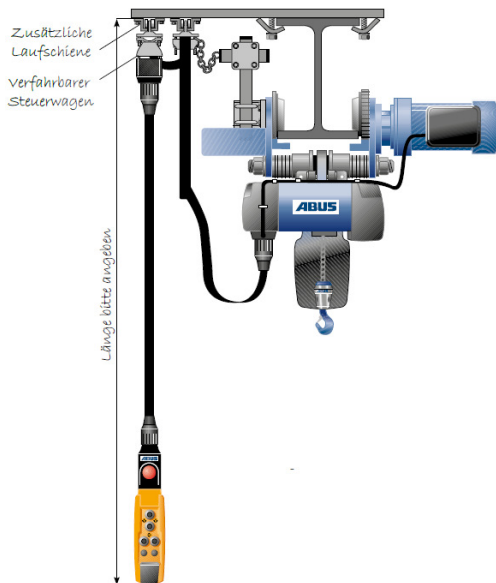
31. suitable for earthquake zone 3

32. min. ambient temperature: -20 °C

33. special chain hoist incl. electric trolley with ultra low headroom



29. additional rail for multi-button pendant switches with movable control trolley



Related documents:

3D-Part: Type.step (example : **BBD1200B02**. Step)

2D-planning drawing: Type.dxf (example: **BBD1200B02**. dxf)

selection criteria: SG-BBD

pricelist: PL- BBD-Walk -Basic

list of drawing numbers: Draw-No-List_ BBD-Walk -Basic



solids solutions group
www.solids.eu