



Datasheet solids - Aeration Bottom FLK-Clean



Operating conditions:

Max. temperature: 140° C

Bulk solids data:

Particle size: Powdered < 0,5 mm, up to medium hardness
free flowing up to limited flowing products, fluidisable bulk materials

Max load by bulk: depends on bulk and silo dimensions. Calculation by the manufacturer

| Type | Inlet Ø / Minimum outlet Ø | Maximum height | Number of aeration flanges | Maximum's Load (tonne) | Weight |
|------------|----------------------------------|-------------------|----------------------------------|------------------------------|---------|
| FLK1200B01 | 1200/150 mm | 410 mm | 2 | 45 t | 250 kg |
| FLK1500B01 | 1500/150 mm | 500 mm | 2 | 58 t | 340 kg |
| FLK1800B01 | 1800/150 mm | 610 mm | 2 | 80 t | 470 kg |
| FLK2100B01 | 2100/150 mm | 750 mm | 2 | 110 t | 750 kg |
| FLK2400B01 | 2400/150 mm | 900 mm | 2 | 120 t | 900 kg |
| FLK3000B01 | 3000/150 mm | 1100 mm | 4 | 165 t | 1320 kg |
| FLK3600B01 | 3600/150 mm | 1200 mm | 4 | 250 t | 1900 kg |

Basical version:

Construction materials:

Torispherical head: welded steel construction made of stainless steel 1.4306 (DIN) / 304L (AISI)

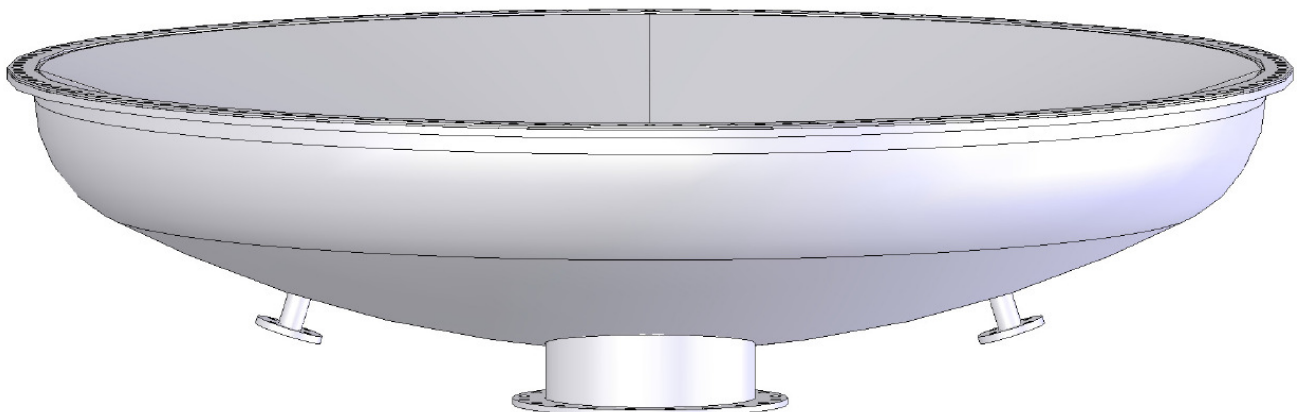
Ventilation of polyester 4 - 5 mm thick

Aeration connections with flanges DN50 PN10

Outlet pipe with flange PN10

Surface treatment:

Pickled or brushed and passivated



| | | | | | |
|-----------|--------|--------------|-----------|--------------|---------------------|
| Freigabe: | MIGSA | SST | H. Linder | | |
| | Datum: | Kurzzeichen: | Datum: | Kurzzeichen: | Datum: Kurzzeichen: |

Preliminary
Änderungen vorbehalten

solids solutions group
www.solids.eu



Datasheet solids - Aeration Bottom FLK-Clean



Options:

1. Torispherical head made of stainless steel 1.4404 (DIN) / 316L (AISI)
2. Torispherical head made of stainless steel 1.4571 (DIN) / 316Ti (AISI)
3. Different from minimum outlet diameter: Ø200, Ø250, Ø300, Ø350, Ø400, Ø500 with the corresponding height
4. Ventilation with anti-static fiber for zone 21 and 22
5. Loop of rubber hoses and nozzle (Ø6,5mm for FLK1200/1500 und Ø10 for FLK1800/2100/2400/3000/3600) with connecting parts for
 - 5.1 2 air connections
 - 5.2 4 air connections
6. Pneumatic installation consisting of: ball valve, manually operated, 2/2-way magnetic valve, pressure regulator
 - 6.1 PBA012B01A ½" for FLK1200
 - 6.2 PBA025B01A 1" for FLK1500/1800
 - 6.3 PBA040B01A 1 ½" for FLK2100/2400
 - 6.4 PBA050B01A 2" for FLK3000/3600
7. Pneumatic installation consisting of: ball valve, manually operated, 2/2-way magnetic valve Atex Ex II 2D, pressure regulator
8. Square flange
9. An extra outlet, up to 4 in total
10. Suitable up to 250°C with special fabric

Related documents:

3D-Part: Type.step (example: **FLK1200C01**. Step)
2D-planning drawing: Type.dxf (example: **FLK1200C01**. dxf)
selection criteria: SG-FLC
Pricelist: PL-FLC-Clean